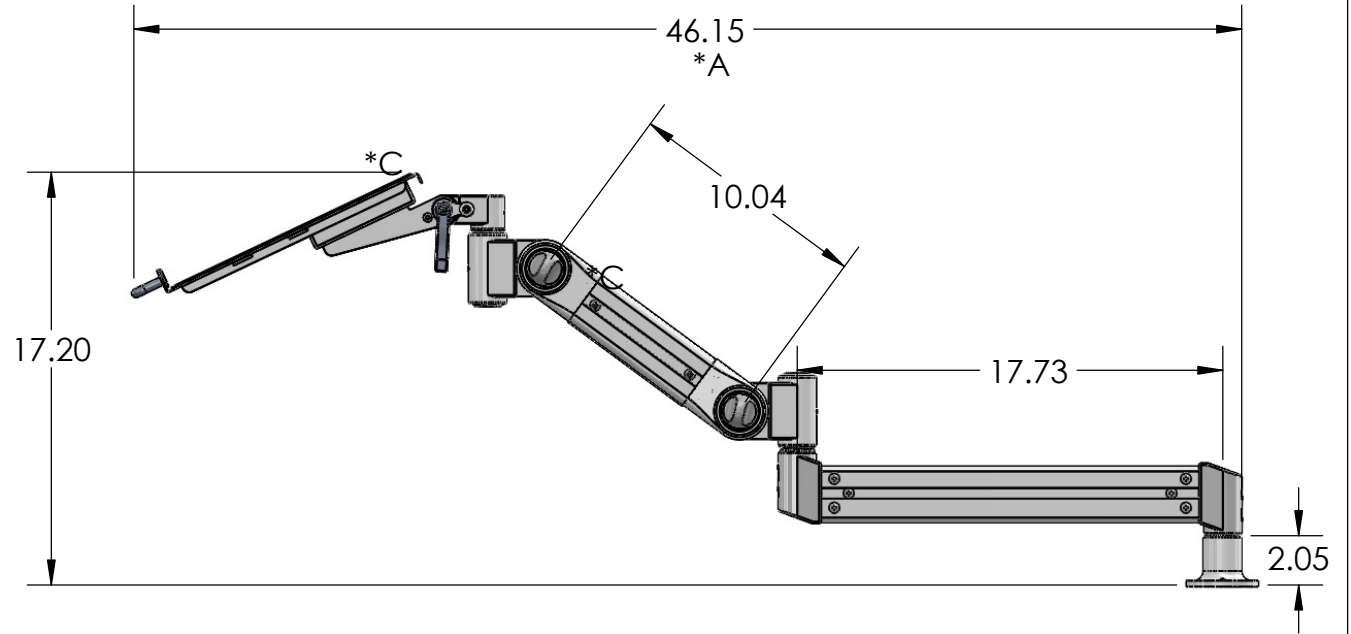
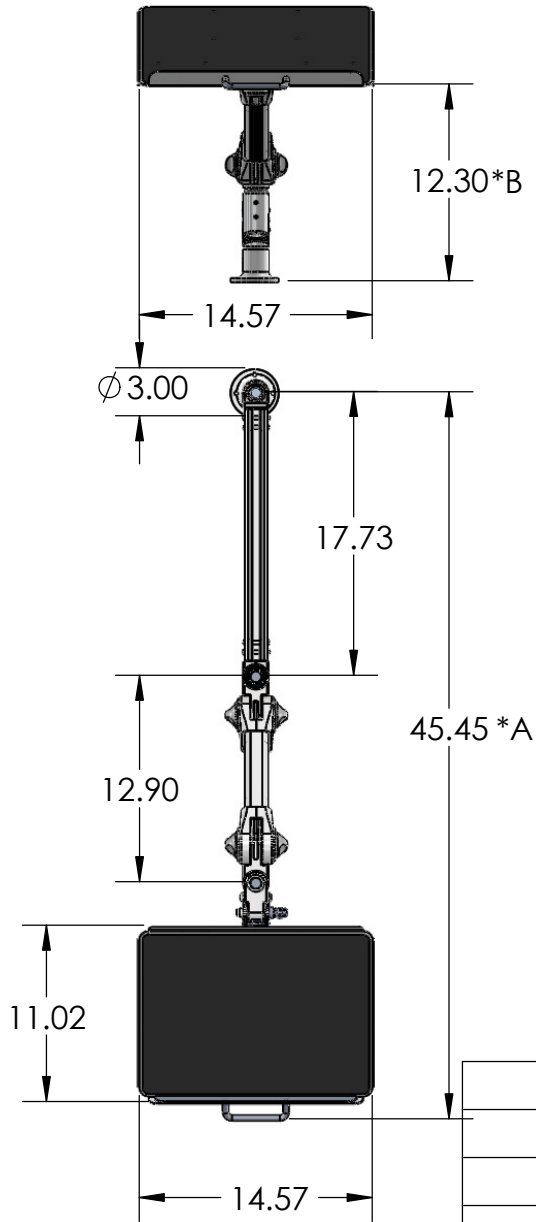


Drawing #: 60222-WL  
 Dimensional Drawing of the 60222 Assembly w/ Laptop Tray



\*A: Dimensions shown w/ adjustable arm and pivot bracket at 45 degrees. Dimensions may vary depending on angles of these parts

\*B: Dimension shown with pivot bracket/Laptop tray at 45 degrees. Dimension may vary

\*C: Adjustable arm and pivot bracket are adjustable up/down and left/right to fit the application

**PROPRIETARY AND CONFIDENTIAL**  
 THE INFORMATION CONTAINED IN THIS DRAWING IS THE SOLE PROPERTY OF CUSTOM PRODUCTS AND SERVICES. ANY REPRODUCTION IN PART OR AS A WHOLE WITHOUT THE WRITTEN PERMISSION OF CUSTOM PRODUCTS AND SERVICES IS PROHIBITED.

		UNLESS OTHERWISE SPECIFIED:		NAME	DATE			
		DIMENSIONS ARE IN INCHES	DRAWN	NJN	9/24/13	TITLE: 60222+Laptop Tray+ Adjustable Arm and Extension Arm  (Change Grommet Pin to Wall Mount)		
		TOLERANCES:	CHECKED					
		FRACTIONAL ±	ENG APPR.					
		ANGULAR: MACH ± BEND ±	MFG APPR.					
		TWO PLACE DECIMAL ±	Q.A.			SIZE	DWG. NO.	REV
		THREE PLACE DECIMAL ±	COMMENTS:			<b>A</b>	60222-WL	
NEXT ASSY	USED ON	FINISH				SCALE: 1:16	WEIGHT:	SHEET 1 OF 1
APPLICATION		DO NOT SCALE DRAWING						